

G109 Series Wedge Action Tensile Grips

Load Ratings to 110 Kip (500 kN)
 Test Samples to 2.2 inch diameter (55 mm)

G109 Series Mechanical Wedge Action Grips are compatible with your test machine with additional adapters from TestResources.

Wedge action grips serve tensile tests on relatively hard materials in different forms including dog bone samples, wire, rod, tubular forms. Mechanical wedge grips feature easy specimen loading, self tightening gripping action and natural centerline sample positioning. Wedge gripping force increases as the pull load goes up, so these grips are needed when high clamp load is needed – such as gripping difficult to hold materials.

The G109 design features a structural door that assists in maintaining the box structure under loading, and so handles higher loads than an open wedge design.

It also features a preload mechanism (lever arm and air actuated assists) to enable the user to bite the sample without requiring higher cost hydraulic solutions.

Wedge style tensile jaws offer a high mechanical advantage by the way they tighten. As the grip body is drawn up, inclined sides push against the matching side of the faces which move laterally against the specimen. The grip faces are spring loaded on the top, against the body. The open front allows faces to be interchanged as well as easy specimen loading.



G109-100
 Rated 22,500 LB (100 kN)

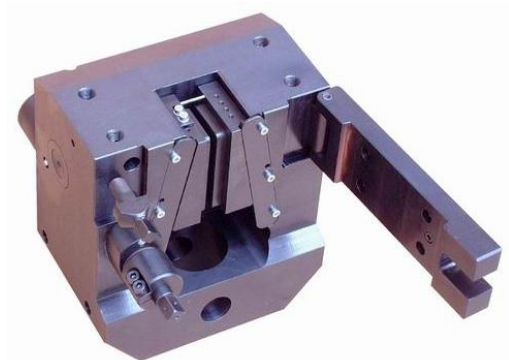


G109-250
 Rated 55,000 LB (250 kN)

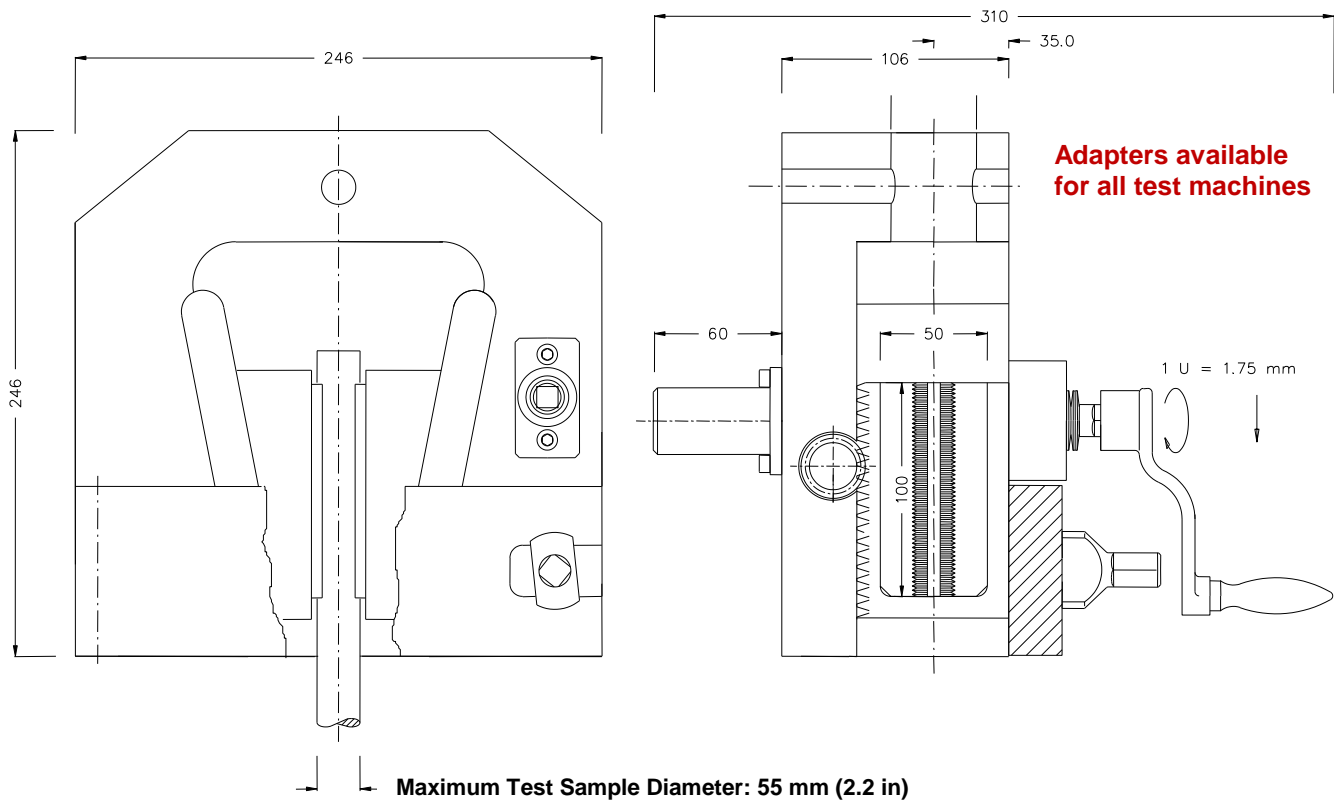
Model	Force Capacity
G109-100	22,500 LB (100 kN)
G109-150	33,750 LB (150 kN)
G109-250	55,000 LB (250 kN)
G109-300	67,500 LB (300 kN)
G109-400	90,000 LB (400 kN)
G109-500	110,000 LB (500 kN)



G109-250P
 Air Actuated Assist
 Rated 55,000 LB (250 kN)



G109-300
 Rated 67,000 LB (300 kN)



Wedge Jaws – 60 clamp width X 110 mm clamp height		
J109BP30	Flat wedge jaws – for flat samples – serrated diamond shaped - hardened surface (1 mm deep) - handles samples 0 to 30 mm (1.2") thick.	
J109BP50	Flat wedge jaws – for flat samples – serrated diamond shaped hardened surface (1 mm deep) - handles samples 26 to 50 mm (2") thick.	
J109BV30	V wedge inset jaws – for round samples – serrated diamond shaped hardened surface (1 mm deep) - handles samples 6 to 30 mm (1.2") Ø.	
J109BV50	V wedge inset jaws – for round samples – serrated diamond shaped hardened surface (1 mm deep) - handles samples 26 to 50 mm (2") Ø.	
Wedges with inset Jaws		
JGK	Cradle Wedges included with grip body – for inset jaws listed below. The advantage is that the jaws are usable on both sides.	
J109EBP30	Flat inset jaws – for flat samples – serrated diamond shaped hardened surface (1 mm deep) - handles samples 0 to 30 mm thick.	
J109EBP50	Flat inset jaws – for flat samples – serrated diamond shaped hardened surface (1 mm deep) - handles samples 20 to 50 mm thick.	
J109EBV34	V wedge inset jaws – for round samples – serrated diamond shaped hardened surface (1 mm deep) - handles samples 6 to 34 mm Ø.	
J109EBV44	V wedge inset jaws – for round samples – serrated diamond shaped hardened surface (1 mm deep) - handles samples 16 to 44 mm Ø.	