

FLATWISE TENSILE STRENGTH TEST FIXTURES

to test flatwise tensile strength and tensile adhesion properties according to ASTM C297, ASTM D3354, ASTM D1623B, EN 1607, EN 2243-4, DIN 53292. (2250 lbf)

Two types of fixtures are available

1. G113 type for samples up to 100x100 mm
2. G113-327 type for larger sample sizes from 100x100 mm.

G113 Type

Single-axis and double-axis versions for samples up to 100x100 mm

The fixture consists of one pair of loading block carriers and one pair of loading block inserts. Carriers are available as a single-axis version (G113-GT-Km10 and G113-GT-M16) and a double-axis version (G113-2Axe-GT).

Both carriers are suitable for all insert loading blocks.

A test specimen is bonded to the face of insert blocks and then pulled apart.

Standard adapters:	Af159, Af20 or Af318. Further adapters on request
Max. load:	20 kN (4500 lbf) for G113-GT-Km10 carrier 50 kN (11,250 lbf) for G113-GT-M16 carrier 10 kN for G113-2Axe-GT carrier
Carrier and inserts:	Steel, nickel-plated
Temperature range:	-70 ... +350°C
Scope of delivery:	1 pair of carriers / 1 pair of inserts. Carrier and insert loading blocks should be ordered separately.

Item no.:	ASTM C297	ASTM D3354	ASTM D1623B	EN 1607	EN 2243-4	DIN 53292	Insert block size:	Weight each:
Carriers								
G113-GT-Km10 / G113-GT-M16	x				x			0.78 kg
G113-2Axe-GT		x	x	x		x		1.30 kg
Insert blocks								
G113-E50-25.4x25.4	x		x				25.4x25.4 mm	0.58 kg
G113-E50-50x50				x	x	x	50x50 mm	0.71 kg
G113-E50-50.8x50.8	x						50.8x50.8 mm	0.72 kg
G113-E50-76.2x76.2	x						76.2x76.2 mm	0.98 kg
G113-E50-100x100		x		x			100x100 mm	1.31 kg

Carriers



G113-GT-Km10 / G113-GT-M16



G113-2Axe-GT

Insert blocks

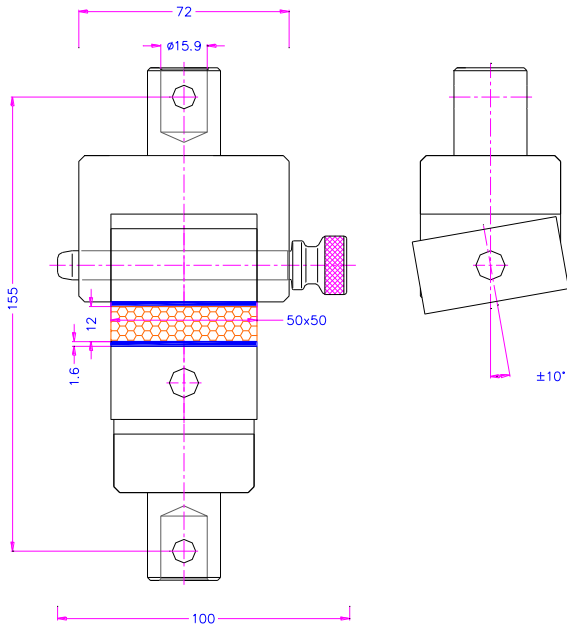


G113-E50-50x50

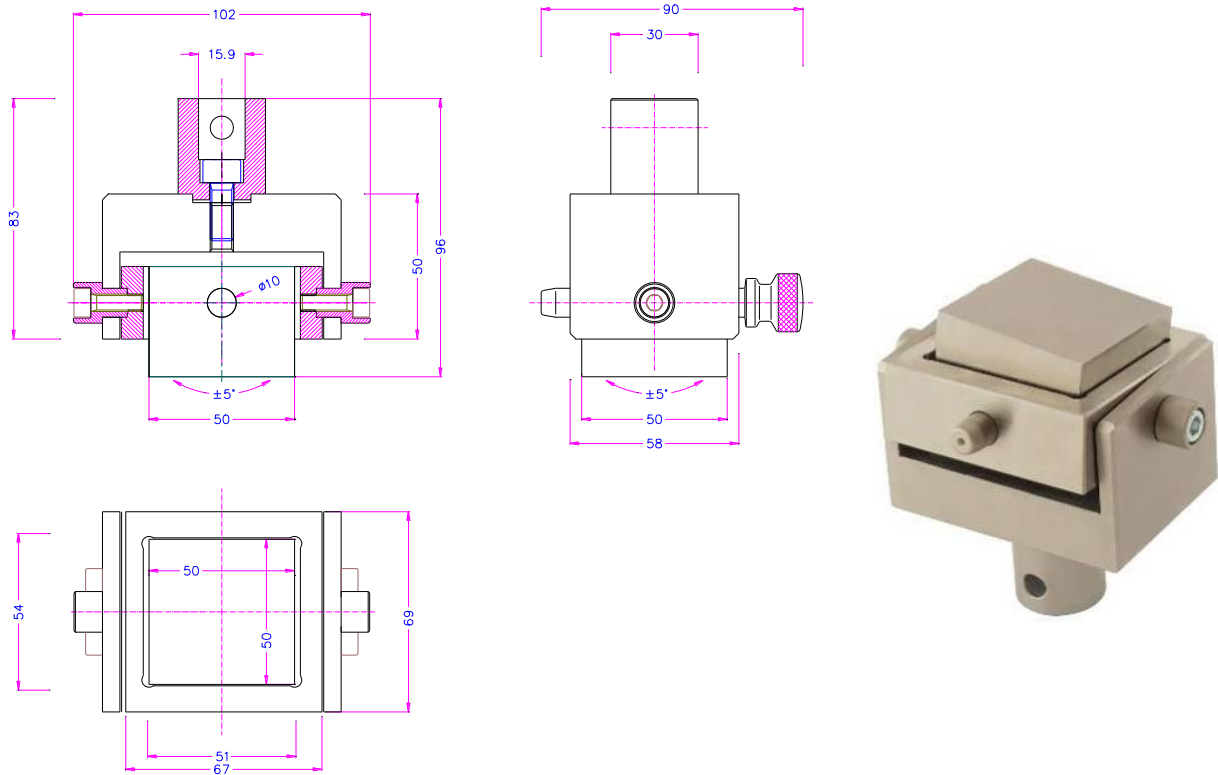


G113-E50-100x100

Examples for G113



G114-GT + G113-E50-50x50 EN2243-4



G113-2Axe-GT + G113-E50-50x50 EN 1607

G113-327 Type

Double-axis version - for larger samples from 100x100 mm and up

A test specimen is bonded between two rigid plates that are pulled apart. Possible plate sizes include, for example, 100x100, 150x150, 200x200, 300x300 mm.

The fixture consists of:

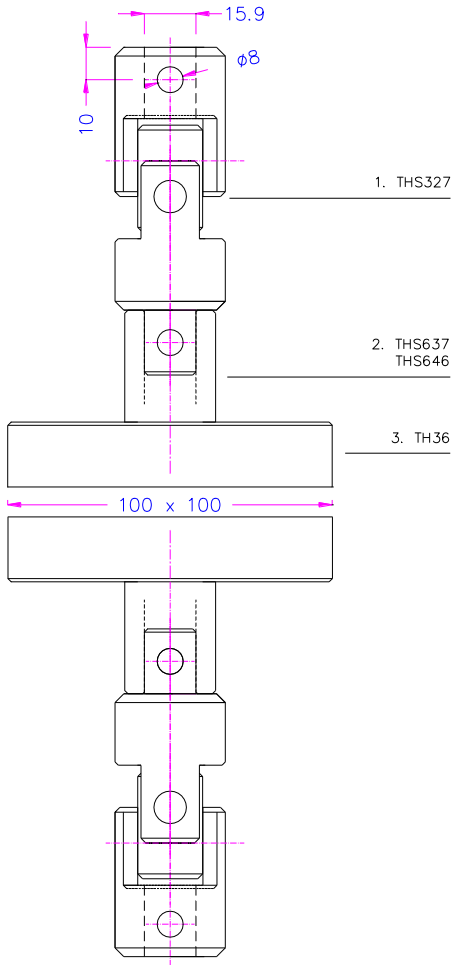
1. 1 pair of universal joint adapters (item no. G327),
2. 1 pair of connection adapters to connect the universal joint adapter and plate, (model no. G637 or G646 depending on the plate size,
3. 1 pair of rigid plates (item no. G36).

Standard adapter:	Af159. Further adapters on request
Universal joint and connection adapters:	Steel, nickel-plated
Plates:	Aluminum
Temperature range:	-70 ... +180°C
Scope of delivery:	Plates, universal joint adapter and connection adapter have to be ordered separately.

ASTM C297	ASTM D3354	ASTM D1623B	EN 1607	EN 2243-4	DIN 53292	Plate size:
	x		x			100x100 mm
			x			150x150 mm
			x			200x200 mm
			x			300x300 mm

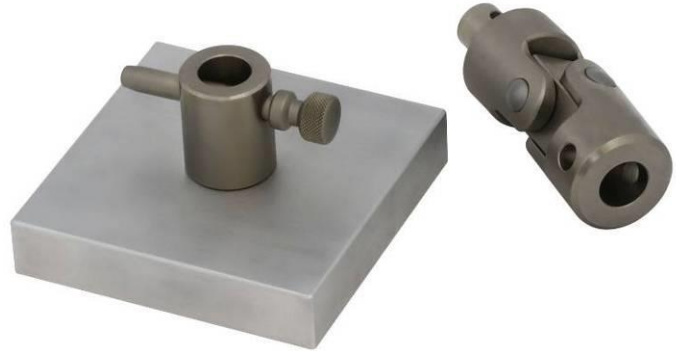
All specifications subject to change without prior notice

Example:



G113-327-P100x100-Af159

Fixture for tests according to ASTM D3354 and EN 1607 for samples 100x100 mm, adapter Af159 mm, weight 1.15 kg



G113-327-P100x100-Af159