

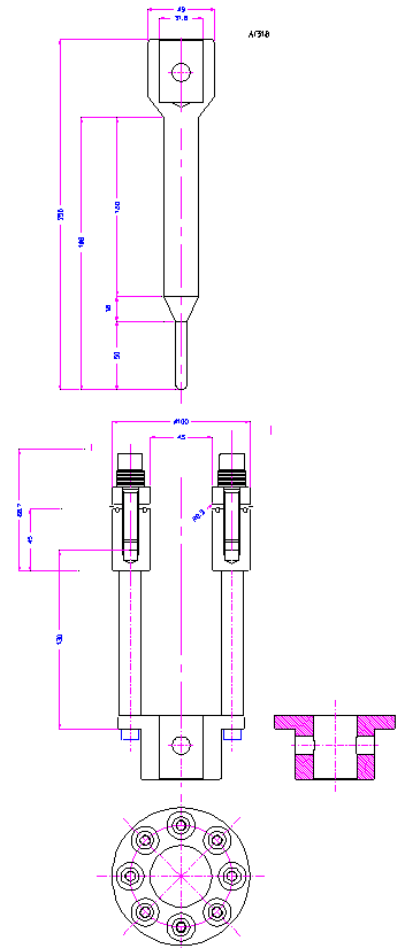
## G145-D4833 Puncture Resistance Test Fixture per ASTM D4833

*Index Puncture Resistance Test Device Requirements* – ASTM D4833 describes testing fixtures for determining the index puncture resistance for geomembranes and similar materials. G145-D4833 test fixture meets these requirements

The testing fixture described in ASTM D4833 consists of two components, a ring clamp attachment, and a solid steel rod. The ring clamp attachment is made of concentric plates with an open internal diameter of 45 mm and is capable of clamping the test specimen without slippage. A suggested clamping arrangement is provided in ASTM D4833. The diameter of the six holes used for securing the ring clamp assembly is suggested to be 8 mm and equally spaced. The surfaces of these plates can consist of grooves with O-rings or coarse sandpaper bonded onto opposing surfaces. The solid steel rod has a diameter of 8 mm and having a flat end with a chamfered edge, which contacts the test specimen.



**G145 Test Fixtures are made to exact ASTM requirements**



Contact an application engineer to configure a solution to your application requirements: 1-800-430-6536

**Reference:** ASTM Standard D4833, 2007, "D4833 Standard Test Method for Index Puncture Resistance of Geomembranes and Related Products," ASTM International, West Conshohocken, PA, 2007, [www.astm.org](http://www.astm.org).