

Compression Platens



- Aluminum
- Hardened Steel
- Stainless Steel
- Delrin (biomedical)

G23 platens are for static compression tests on biomaterials, wood, composites, metals, concrete and other applications where uniform stress distribution is critical.

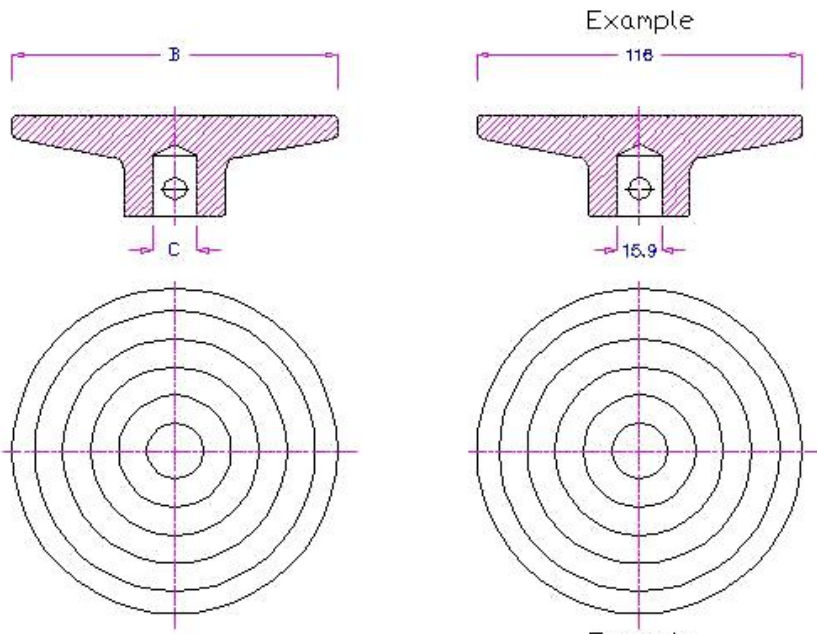
They mount to the crosshead of the frame and available with adapters that enable them to be used on almost any test machine. Inscribed concentric circles ensure proper, centered placement of the specimen, increasing the validity of test results.

Note that in the case of testing brittle materials, if platens are not parallel with specimen surfaces, the initial contact will result in a point contact on the edge of the specimen, creating a stress concentration that can initiate failure, or induce a bending moment into the specimen and cause premature failure.

Ordering Information – Compression Platens

G23A
G23S**Aluminum light weight platen**
Hardened Steel platen

-56	56 mm (2.2") diameter for use with 5/8" diameter adapter
-96	96 mm (3.8") diameter for use with 5/8" diameter adapter
-116	116 mm (4.6") diameter
-156	156 mm (6.1") diameter
-196	196 mm (7.7") diameter
G23S-246	246 mm (9.7") diameter
G23S-296	296 mm (11.7") diameter
G23S-346	346 mm (13.6") diameter



G23-A-B-C

Example
G23-A-116-Af159
Aluminum Platen

G23-A-B-C

Base Model #

Material
A=Aluminum
S=Steel
SS=Stainless Steel
D=Delrin

Platen Diameter

Af=Adapter Female Dia.
Am=Adapter Male Dia.
AFT=Adapter Female Thread
AmT= Adapter Male Thread