

Wedge Grips Rated 20kN and 50kN

Multi purpose, self-tightening grips.

Suitable for metal or plastic specimens (with medium strength) etc.

Easy to use: The grips feature a lever arm for quick loading and releasing of the samples.

The wedge-shaped design of the jaws causes the clamping force to increase, as tension is applied during the test.



Model No.	G243-20-16	G243-50-16
Tensile force	20 kN	50 kN
Temperature range	0°C - +130°C (G243-20-16) -70°C - +280°C (G243-20-16-Ni) -70°C - +280°C (G243-20-16-TK)	0°C - +130°C (G243-50-16) -70°C - +280°C (G243-50-16-Ni) -70°C - +280°C (G243-50-16-TK)
Body	Steel, phosphate coated (G243-20-16) Steel, nickel plated (G243-20-16-Ni)	Steel, phosphate coated (G243-50-16) Steel, nickel plated (G243-50-16-Ni)
Weight	3.8 kg each grip (without jaws)	6.75 kg each grip (without jaws)



G243-20-16-Ni

Wedge jaws for G243 grips: 1 set = 2 jaws

Model No.	Surface	Clamping surface H x W	Opening	Weight per pair
J243-BP	Pyramid (serrated) jaws	50 x 35mm	0 – 13mm	0.48 kg
J243-BP16	Pyramid (serrated) jaws	50 x 35mm	4 – 16mm	0.41 kg
J243-BV	V-jaws	Clamping height 50mm	3 – 13mm Ø	0.46 kg
J243-BV16	V-jaws	Clamping height 50mm	4 – 16mm Ø	0.41 kg

Jaws with other dimensions and surface coatings on request



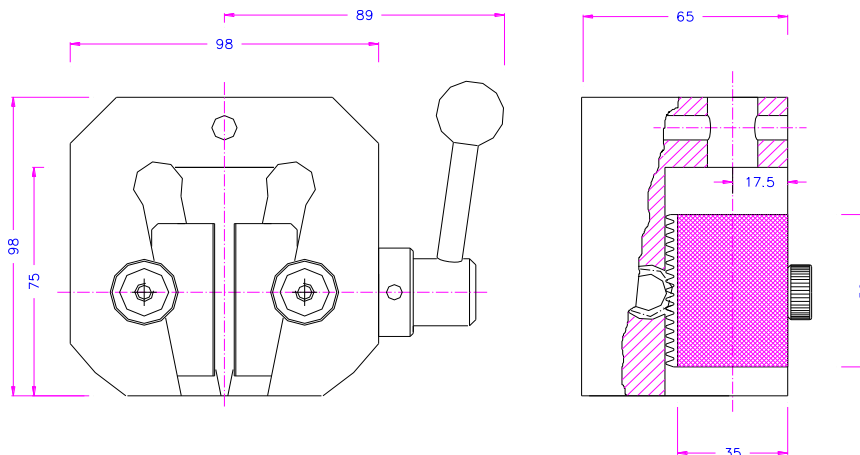
G243-20-16-TK

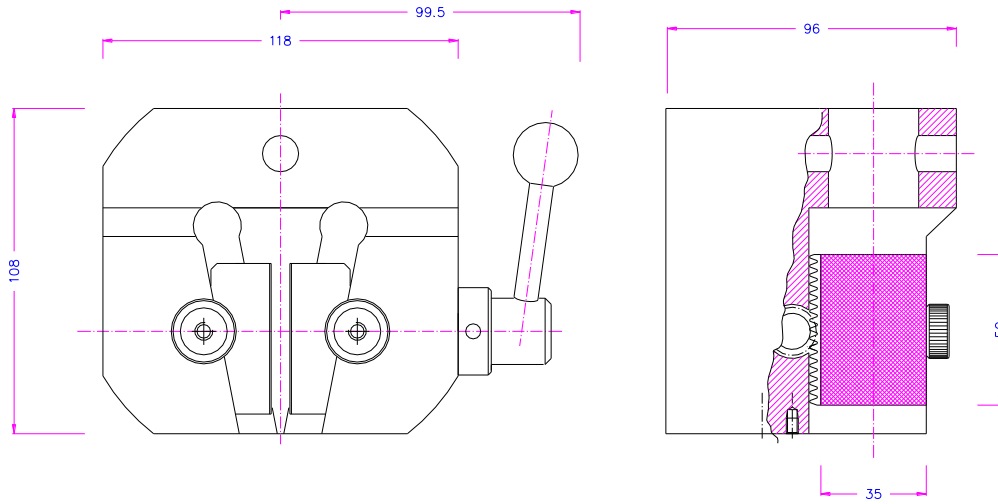


J243-BP Pyramid jaws
• Hardened steel 58 HRC
• Pyramids 1.2 x 45°

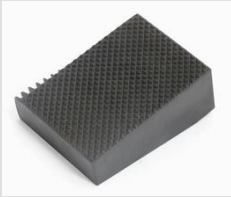


J243-BV V-jaws
• For all kinds of round samples
• Hardened steel 58 HRC
• Tooth pitch 1.2 mm





Examples of other versions and custom built solutions



J243-BP2x45: For thick and soft samples, wood samples, glass reinforced plastics etc



J243-BV30: Special jaws for round samples 30mm Ø



G243-20-107SK: custom design, smaller body, internal thread coupling

Ordering information

G243 grips are supplied as individual grips, and the jaws are ordered as a set (1 set = 2 jaws for one grip body). Grips and jaws can be ordered separately.