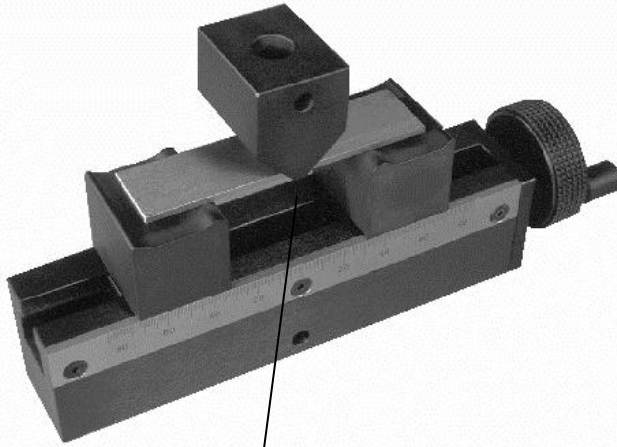


### G103 Flexural Bend Fixtures

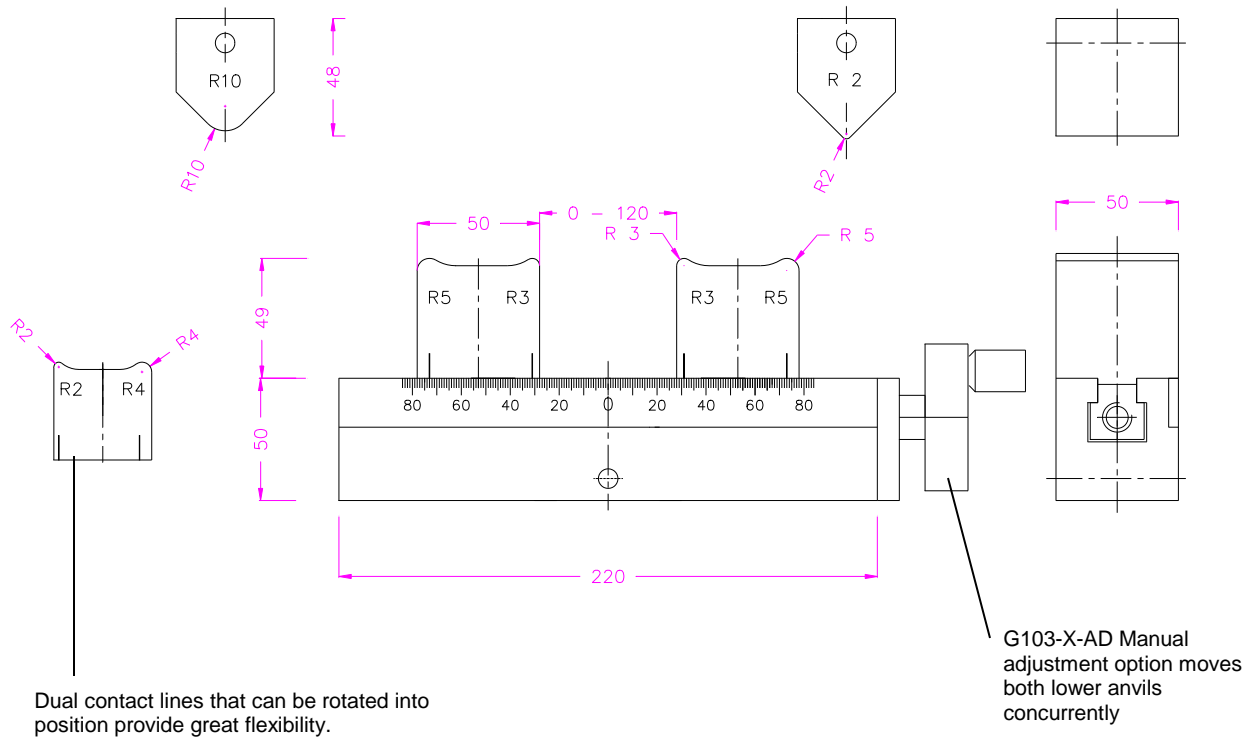
Optional Knob enables manual anvil adjustment



Upper Anvils with radii from 2 to 10 mm

For flexural and fracture toughness bond tests including determination of flexural modulus, flexural strength and flexural yield strength. The G103-3 three point fixture can be modified with an optional conversion kit to provide four point bending.

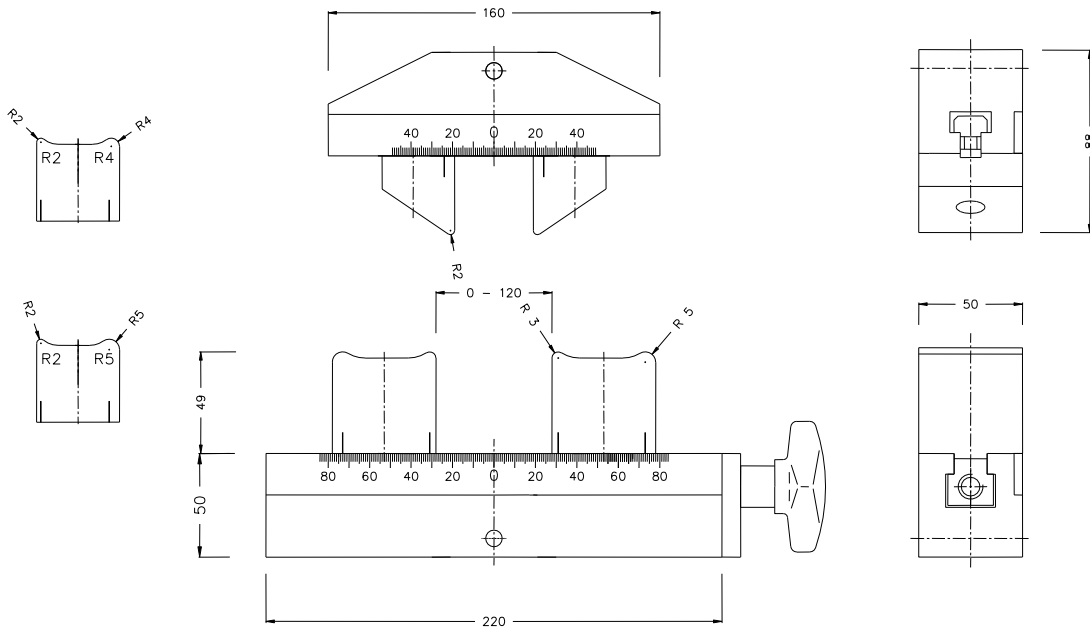
Lower anvils adjust to different spans. Deflection of the specimen can be measured through crosshead displacement, or for more precise measurement, use a model 3800 deflectometer.



#### Specifications

Force Rating: 50 kN (11,250 pounds)  
 Standard Span Range: 10 to 100 mm  
 Anvil radii: 2, 3 and 5 standard – all others available

## G103-4 Four Point



## G103-4-S Four Point Special

