

Mechanical Wedge Grips

Rated to 5 kN (1125 lbf)

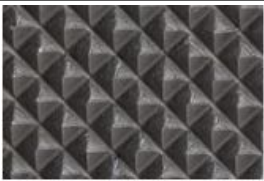

Model	G7W
Tensile Force	5 kN (1125 lbf)
Body	Steel - Nickel coated
Temperature range	0° to +70°C (32° to 158°F) *
Max. opening	8 mm (0.31 in)
Weight	1 kg (2.2 lbs) without jaws

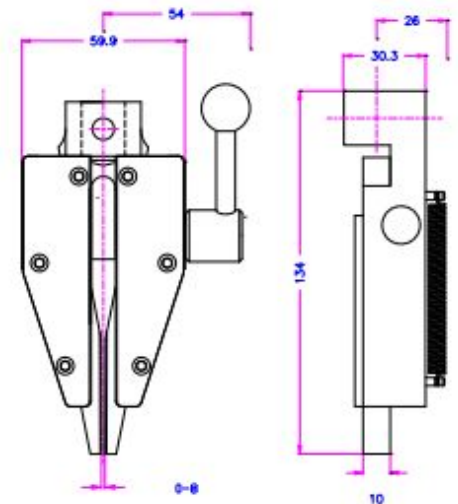
*Other temperature ranges available upon request



Interchangeable Jaws or Faces

JS7-BP	Pyramid (serrated) jaws 40x8 mm with 0-8 mm opening
JS7-BV	V-jaws 40 mm clamping height with Ø2-8 mm opening

	BP: Multi-purpose application range Pyramids (serrated) 0.8x45°, hardened steel
	BV: For round samples Tooth pitch 0.8 mm, hardened steel



Contact an application engineer to configure a solution to your application requirements.